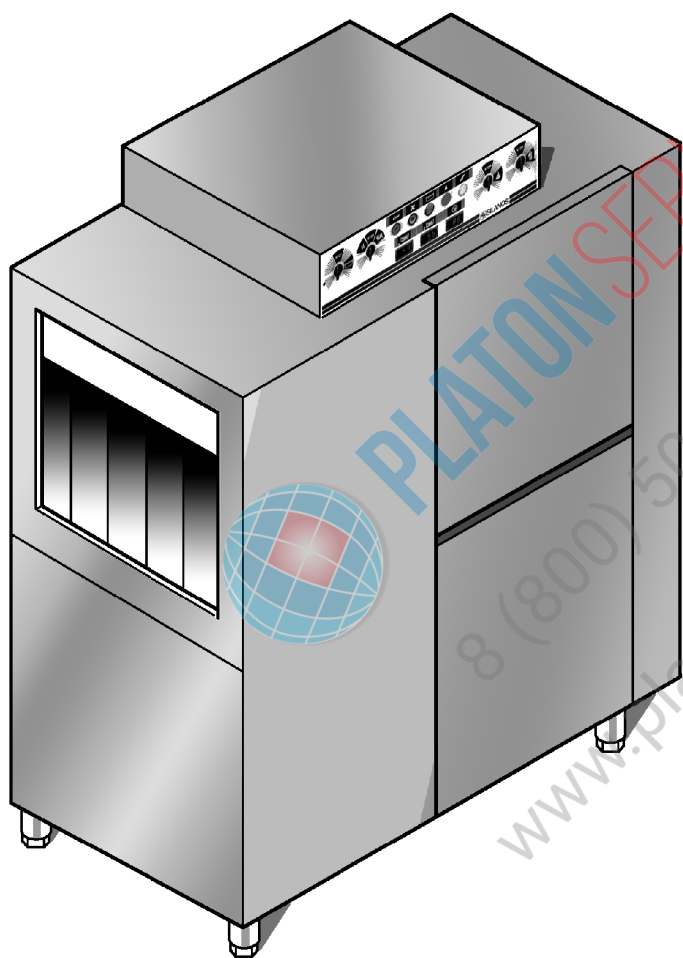
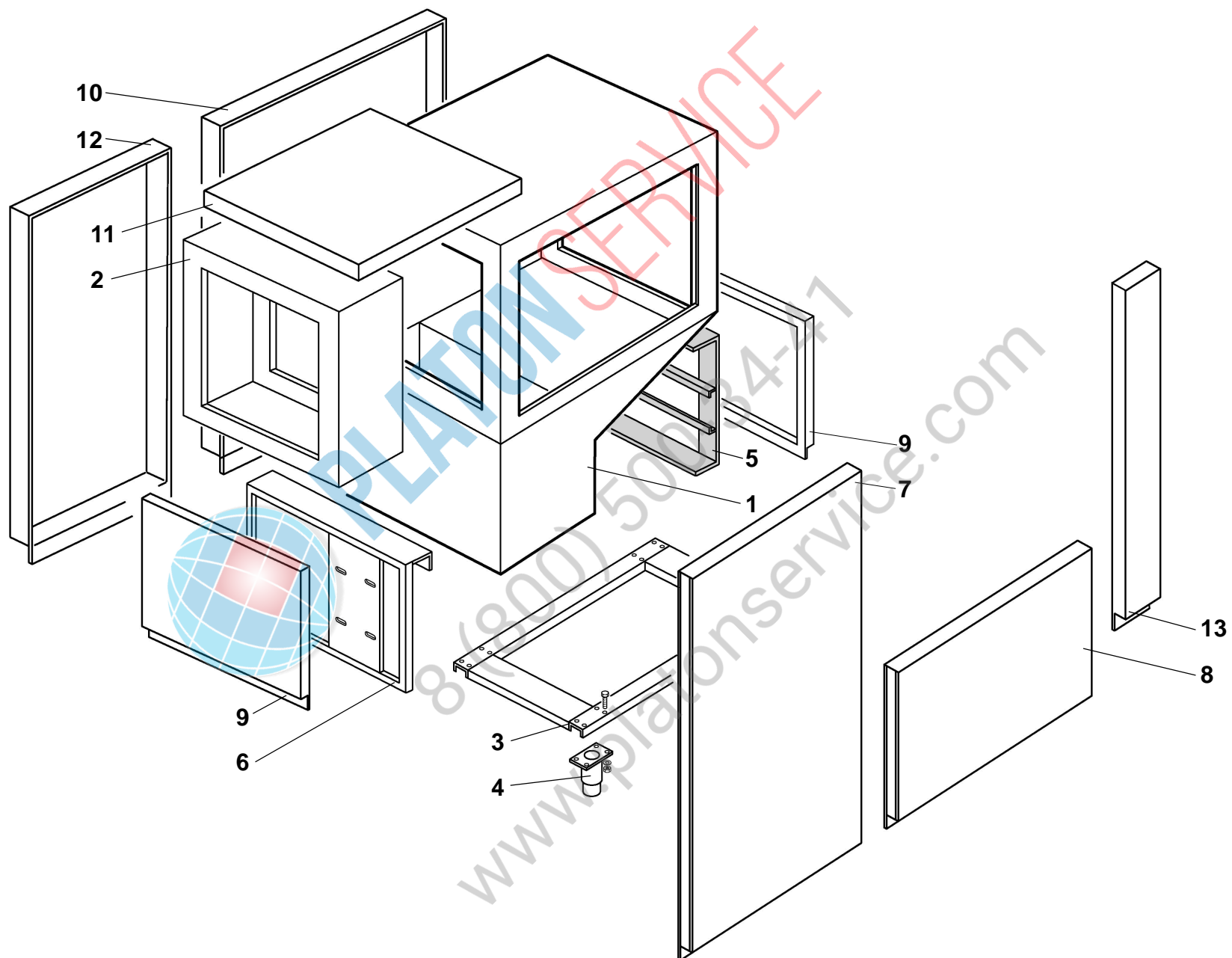


**LAVASTOVIGLIE A TRAINO**  
**RACK-CONVEYOR DISHWASHER**  
**LAVE-VAISSELLE A AVANCEMENT**  
**AUTOMATIQUE DES CASIERS**  
**ZUGSPÜLMASCHINEN**  
**LAVA-VAJILLAS DE ARRASTRE**

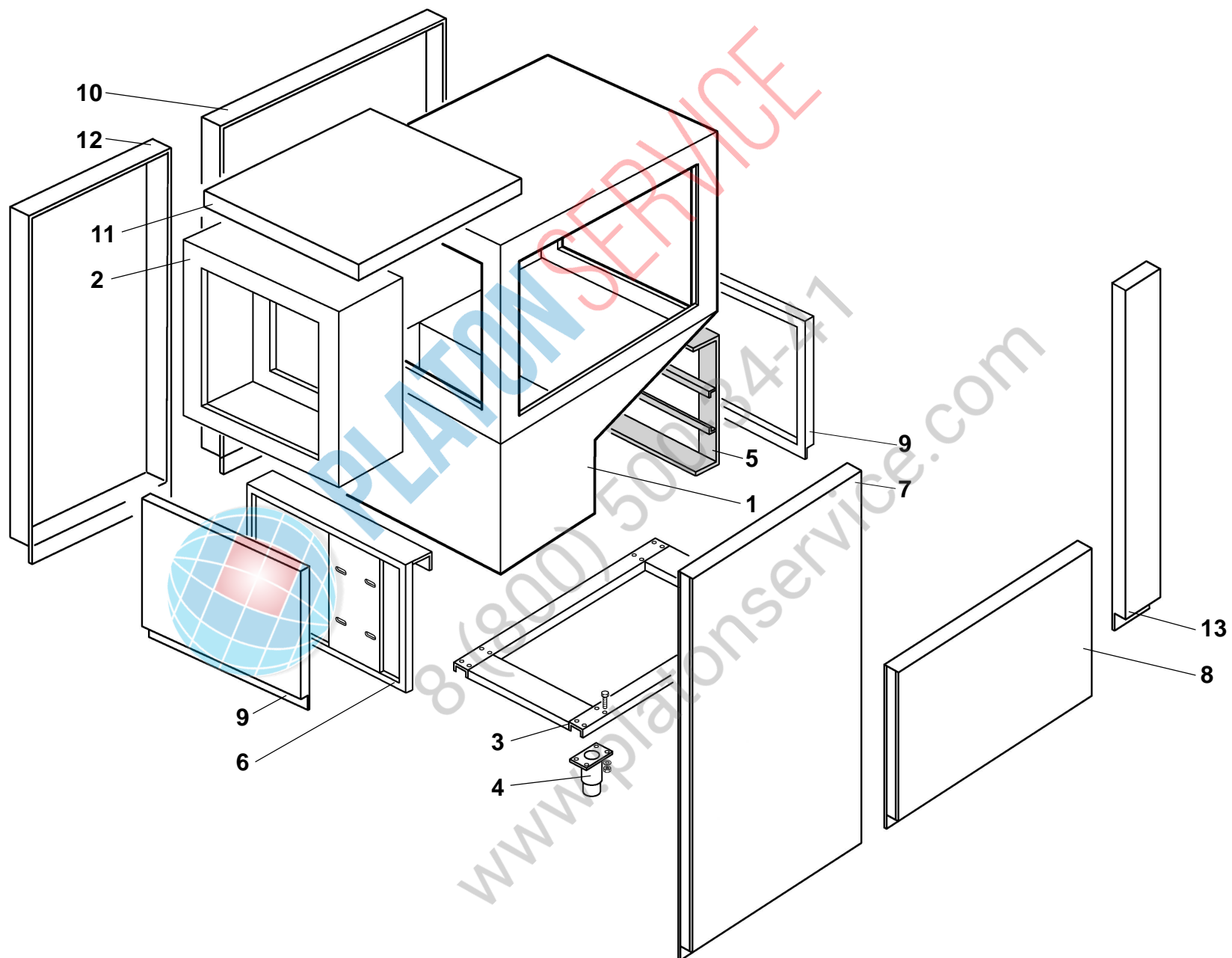


**T1650**

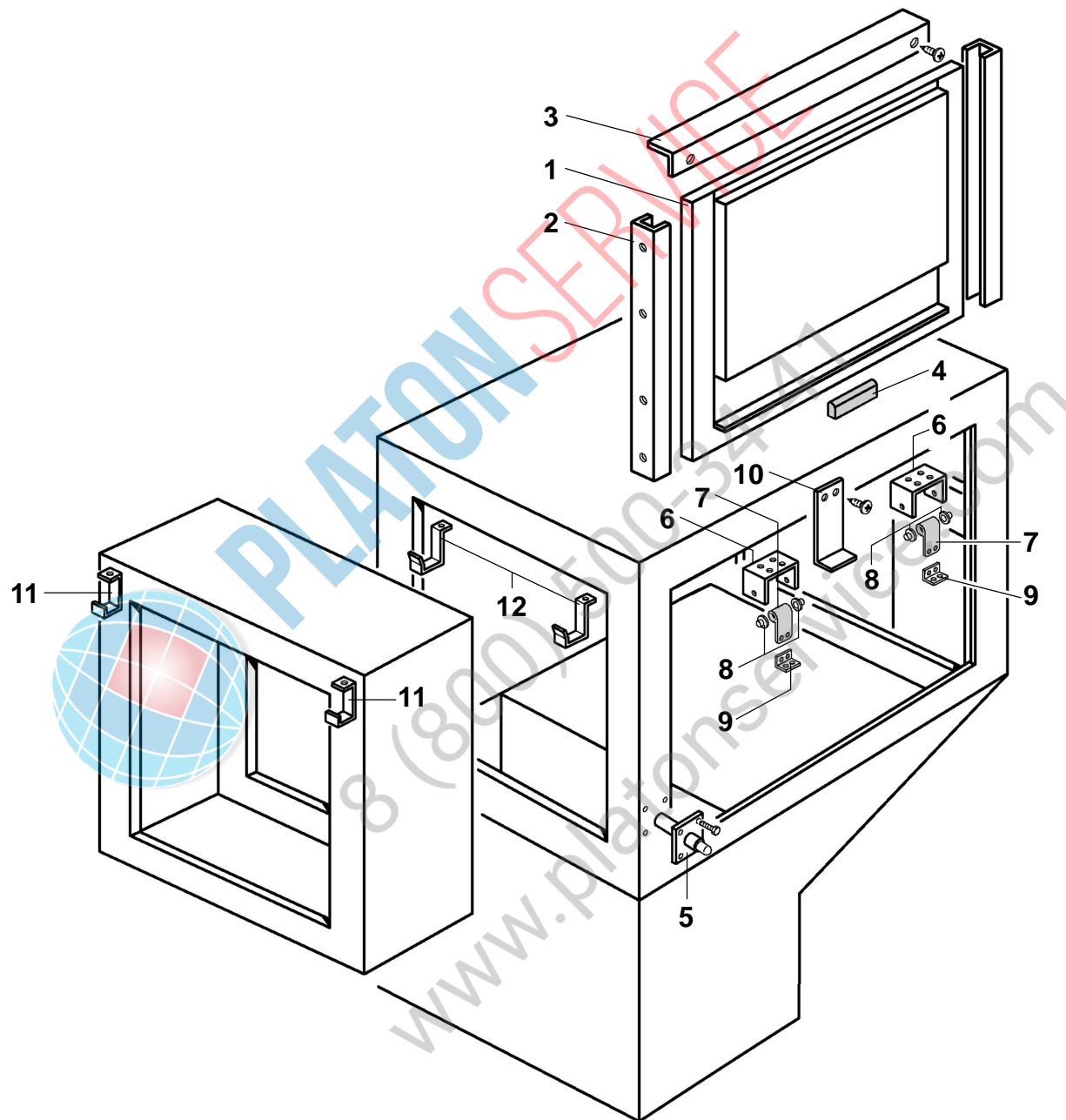
***MANUALE PARTI DI RICAMBIO***  
***SPARE PARTS MANUAL***  
***CATALOGUES PIÉCES DETACHEES***  
***ERSATZTEILEKATALOG***  
***MANUAL PARTES DE REPUESTO***



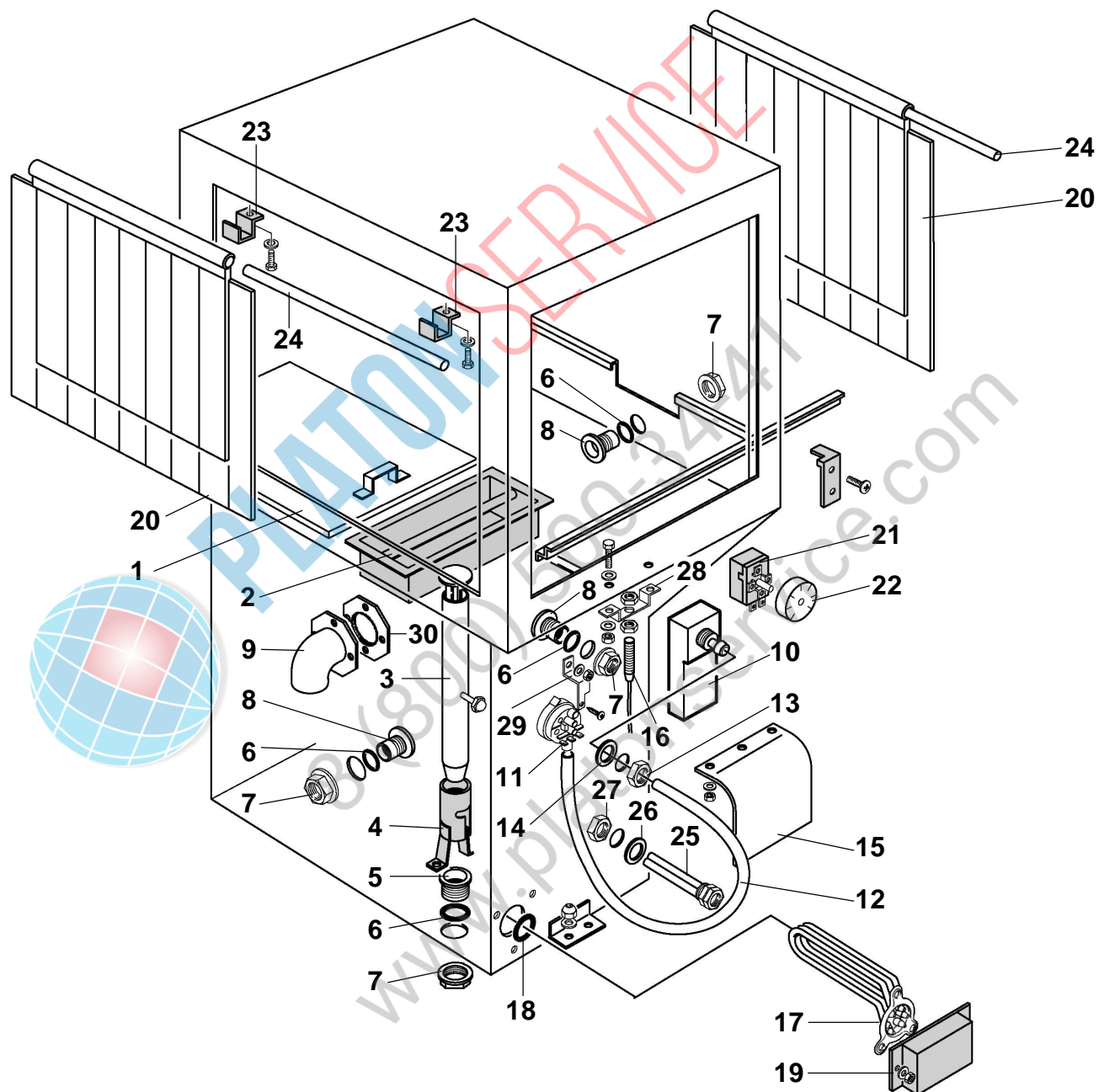














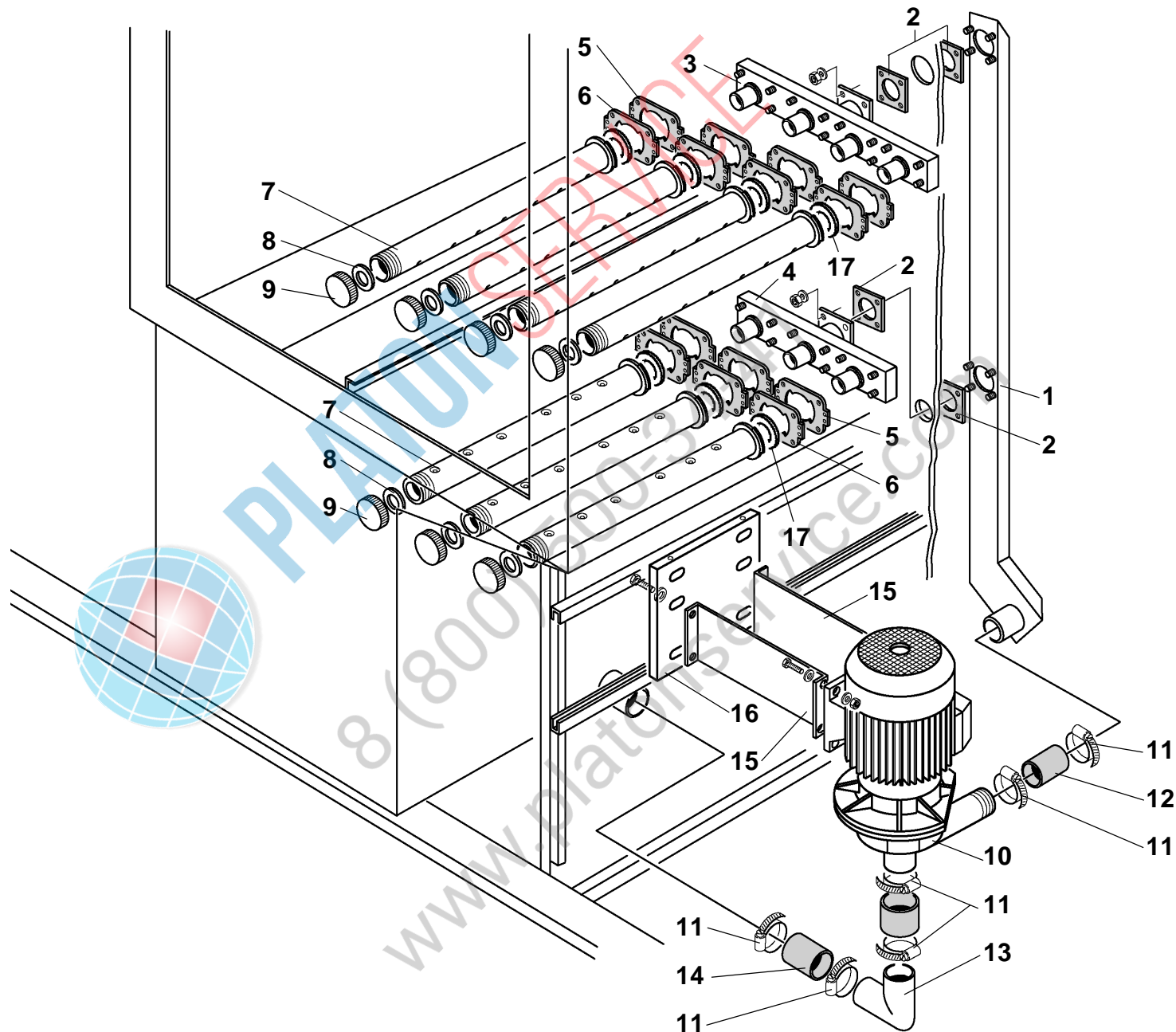
# LAVASTOVIGLIE A TRAINO

LAVAGGIO

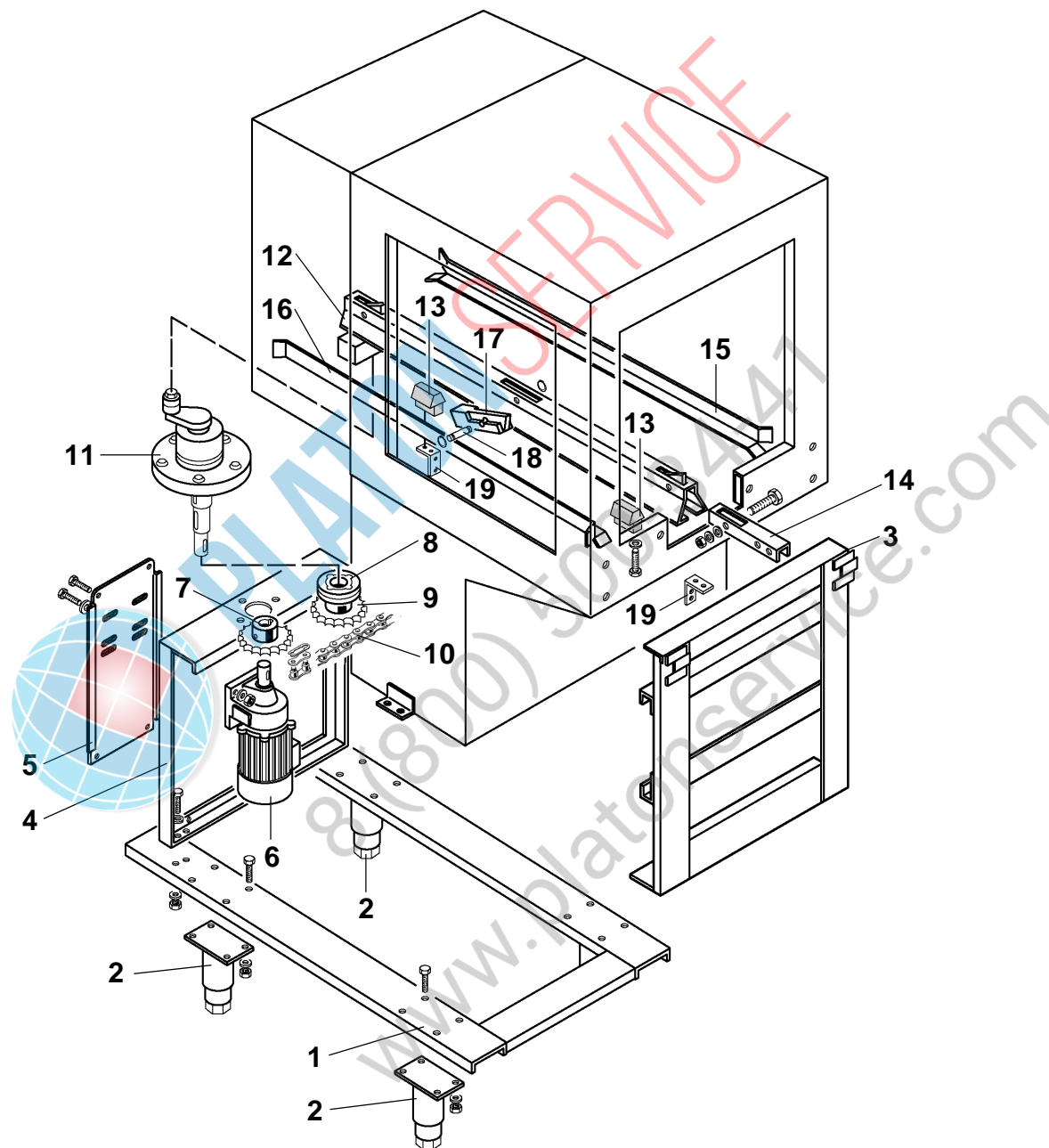
ED. 2000

TAV. 4

Pos	COD.	COD.	Q.TÀ	DESCRIZIONE	DENOMINATION	DESCRIPTION	BEZEICHNUNG	DESCRIPCIÓN
1	TR 2202		1	FILTRO	FILTRE	FILTER	FILTER	FILTRO
2	TR 2204		1	FILTRO	FILTRE	FILTER	FILTER	FILTRO
3	TR 1115		1	TROPPOPIENO	NIVEAU	OVER FLOW	UBERLAUFROHR	DEMASIADO LLENO
4	TR 0464		1	GUIDA TROPPOPIENO	COULISSE NIVEAU	OVER FLOW GUIDE	UBERLAUFROHR KORB.	GUIA DEMASIADO LLENO
5	TR 1234		1	RACCORDO 1" ¼	RACCORD	PIPE FITTING	ABLAUFANSCHLUSS	EMPALME
6	904380		4	O-RING	O-RING	O-RING	O-RING	O-RING
7	902080		4	GHIERA 1" ¼	VIROLE	LOCK NUT	NUT MUTTER	ABRAZADERA
8	905450		3	RACCORDO 1" ¼	RACCORD	PIPE FITTING	ABLAUFANSCHLUSS	EMPALME
9	TR 0977		1	RACCORDO ASPIRAZIONE	RACCORD	PIPE FITTING	SAUGANSCHLUSS	EMPALME DE ASPIRACIÓN
10	TR 0268		1	TRAPPOLARIA	RESERVOIR AIR	AIR TRAP	LUFT FALLE	TRAMPA DEL AIRE
11	905275		1	PRESSOSTATO	PRESSOSTAT	PRESSURE SWITCH	DRUCHWAECHTER	PRESÓSTATO
12	907272		1	TUBO PRESSOSTATO	TUYAU PRESSOSTAT	PRESSURE SWITCH PIPE	SCHLAUCH	TUBO PRESÓSTATO
13	902100		1	GHIERA 3/8"	VIROLE	LOCK NUT	NUT MUTTER	ABRAZADERA
14	903260		1	GUARNIZIONE	JOINT	GASKET	DICHTUNG	GUARNICIÓN
15	TR 3196		1	PROTEZIONE GOMMA	PROTECTION EN CAOUTCH.	RUBBER COVER	SCHUTZ	PROTECCIÓN GOMA
16	TR 0309		1	REED MAGNETICO	REED	REED	REED	REED MAGNÉTICO
17	TR 0335		1	RESISTENZA 8000W	RESISTANCE	HEATING ELEMENT	HEIZKÖRPER	RESISTENCIA
18	907981		1	O-RING	O-RING	O-RING	O-RING	O-RING
19	TR 1037		1	COPRIRESISTENZA	PROTECTION RESISTANCE	HEATING COVER	HEIZKÖRPER SCHUTZ	CUBRERESISTENCIA
20	TR 0460		2	TENDINA	RIDEAU	CURTAIN	SPRITZSCHUTZ	CORTINILLA
21	907100		1	TERMOSTATO	THERMOSTAT	THERMOSTAT	THERMOSTAT	TERMÓSTATO
22	903982		1	MANOPOLA	BOUTON	KNOB	KNOPF	EMPUÑADURA
23	TR 2162		2	SQUADRETTA TENDINA	EQUERRE RIDEAU	BRACKET CURTAIN	WINKEL SPRITZSCHUTZ	ANGULAR CORTINILLA
24	TR 2034		2	ALBERO PER TENDINA	ARBRE RIDEAU	CURTAIN ROD	HALTERUNG	EJE PARA CORTINILLA
25	TR 0298		1	PORTABULBO	SIÈGE DE BULBE	SEATING BULB	KUGELSITZ	PORTABULBO
26	903250		1	GUARNIZIONE	JOINT	GASKET	DICHTUNG	GUARNICIÓN
27	902110		1	GHIERA ½"	VIROLE	LOCK NUT	NUT MUTTER	ABRAZADERA
28	TR 1071		1	SQUADRETTA REED	EQUERRE REED	REED BRACKET	WINKEL REED	ANGULAR REED
29	906399		1	SQUADRETTA PRESSOSTATO	EQUERRE PRESSOSTAT	PRESSURE SWITCH BRACKET	WINKEL DRUCHWAECHTER	ANGULAR PROSÓSTATO
30	TR 0189		1	GUARNIZIONE	JOINT	GASKET	DICHTUNG	GUARNICIÓN







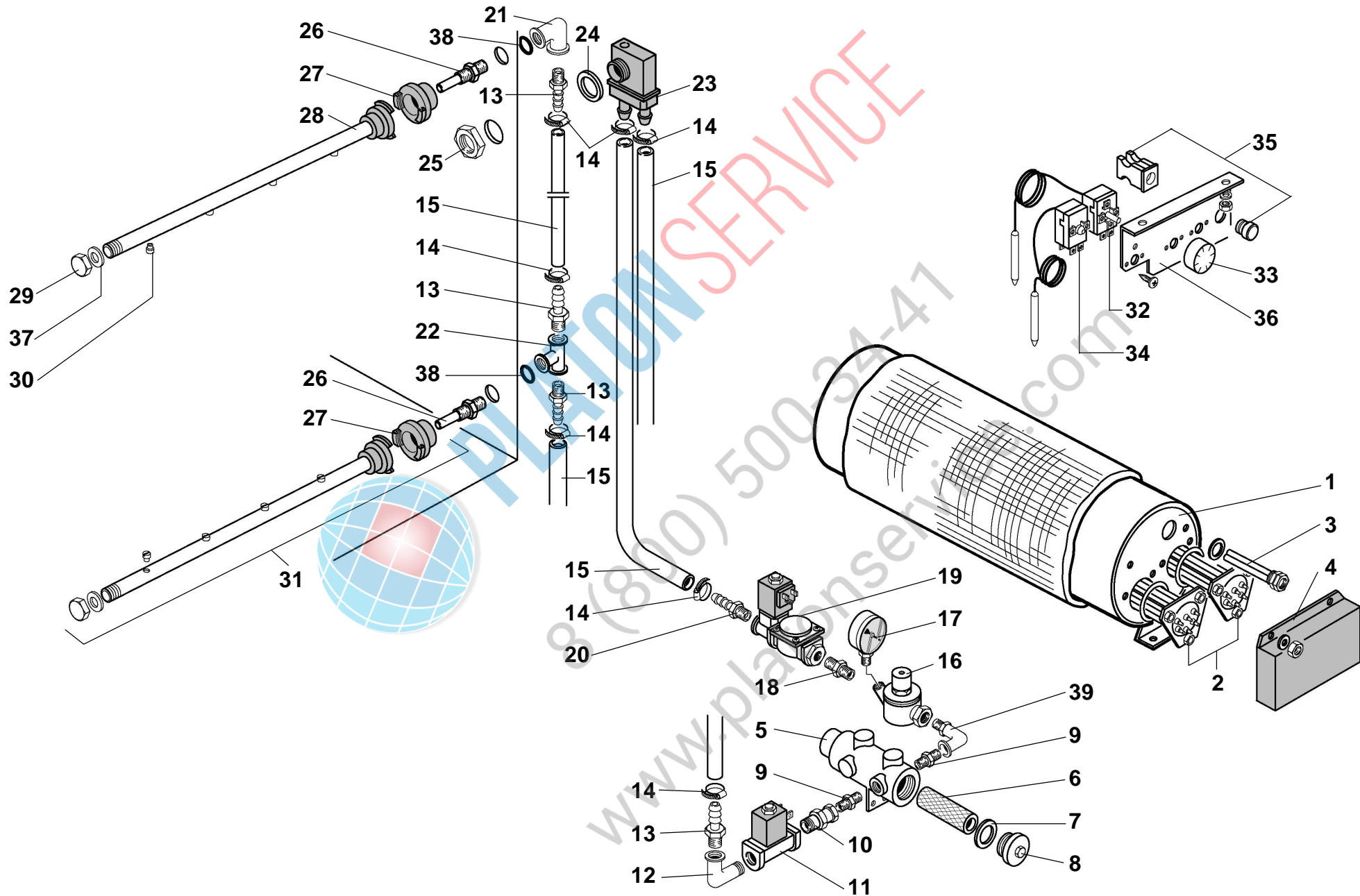
# LAVASTOVIGLIE A TRAINO

CAPOTE LAVAGGIO

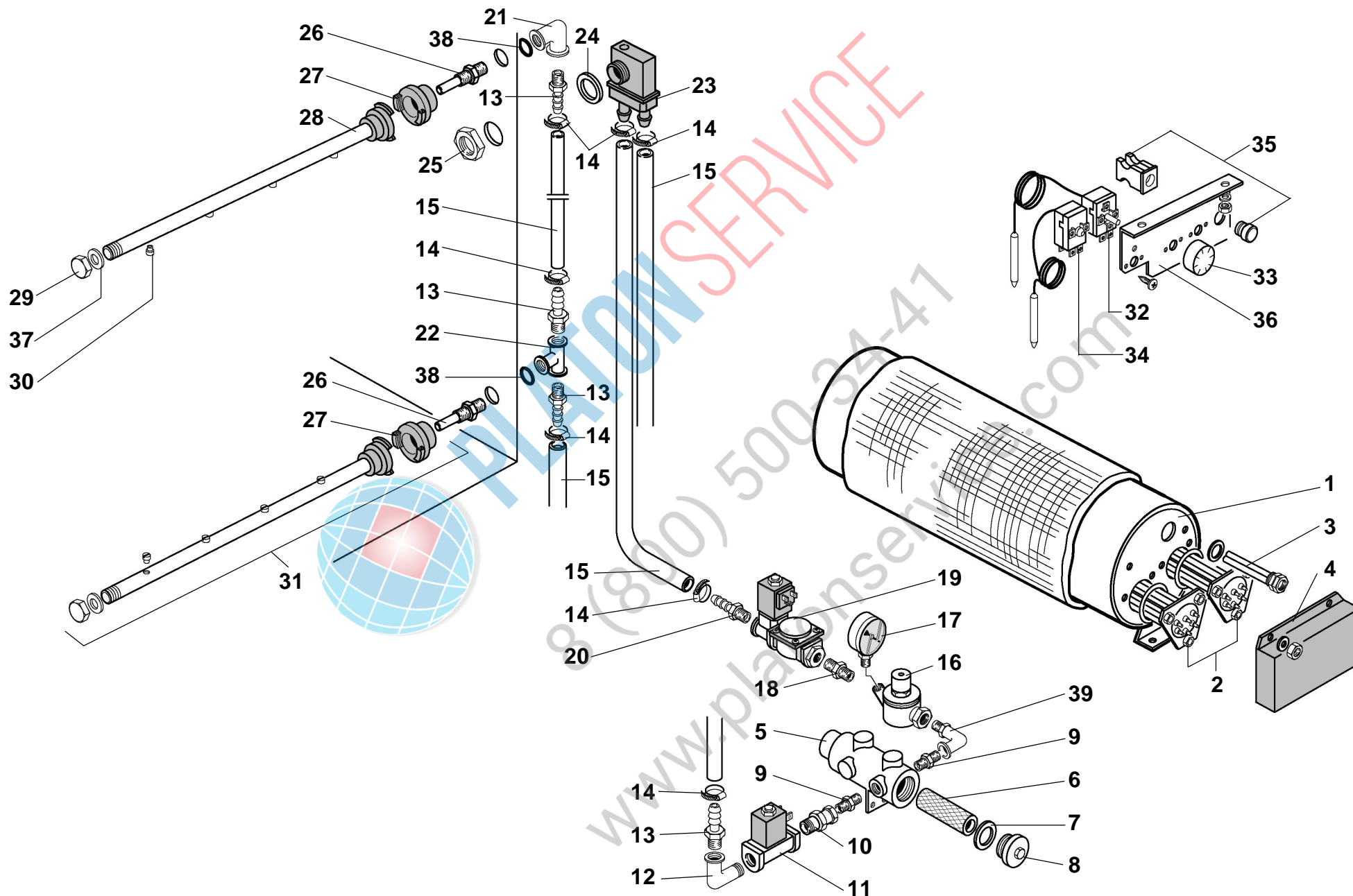
ED. 2000

TAV. 6

Pos	COD.	COD.	Q.TÀ	DESCRIZIONE	DENOMINATION	DESCRIPTION	BEZEICHNUNG	DESCRIPCIÓN
1	TR0593		1	TELAIO	CHASSIS	FRAME	RAHMEN	BASTIDOR
2	TR0299		4	PIEDE	PIED	FOOT	FUSS	PIÉ
3	TR0595		1	SUPPORTO VASCA LAVAGGIO	CHASSIS	TANK SUPPORT FRAME	TANK RAHMEN	SOPORTE PILETA LAVADO
4	TR0506		1	SUPPORTO MOTORIDUTTORE	SUPPORT MOTOREDUCTEUR	SPEED REDUCER SUPPORT	GETRIEBEMOTORTRÄGER	SOPORTE MOTORREDUCTOR
5	TR0588		1	PIASTRA MOTORIDUTTORE	PLAQUE MOTOREDUCTEUR	SPEED REDUCER PLATE	GETRIEBEMOTORPLATTE	PLANCHA MOTORREDUCTOR
6	TR0250		1	MOTORIDUTTORE 1 VEL.	MOTOREDUCTEUR	SPEED REDUCER	GETRIEBEMOTOR	MOTORREDUCTOR
6	TR0260		1	MOTORIDUTTORE 2 VEL.	MOTOREDUCTEUR	SPEED REDUCER	GETRIEBEMOTOR	MOTORREDUCTOR
7	TR0512		1	PIGNONE Z14	PIGNON	SPROCKET	RITZEL	PIÑÓN
7	TR0266		1	PIGNONE Z18	PIGNON	SPROCKET	RITZEL	PIÑÓN
7	TR0267		1	PIGNONE Z28	PIGNON	SPROCKET	RITZEL	PIÑÓN
8	TR0241		1	LIMITATORE DI COPPIA	LIMITATEUR DE COUPLE	CLUTCH	KUPPLUNG	LIMITADOR DE PARES
9	TR0045		1	CORONA Z20	COURONNE	SPROCKET	ZAHNRAD	CORONA
10	TR0025		1	CATENA P = 1/2" T1650	CHAINE	CHAIN	KETTE	CADENA
10	TR0027		1	CATENA P = 1/2" T2000	CHAINE	CHAIN	KETTE	CADENA
10	TR0028		1	CATENA P = 1/2" T3000	CHAINE	CHAIN	KETTE	CADENA
11	TR2042		1	TRAINO	AVANCEMENT	DRIVE EXCENTER	EXZENTER	REMOLQUE
12	TR2062		1	GUIDA SALTARELLI	RAIL SAUTERELLE	PAWL BAR	ZENTRALE MITNAHME	GUIATRINQUETES
13	TR0357		2	SUPPORTO GUIDA SALTARELLO	SUPPORT	FRICTION PAD	GLEITSTÜCK	SOPORTE GUIATRINQUETE
14	TR2052		1	GIUNZIONE GUIDE	LIAISON POUR COULISSE	CONNECTION GUIDE	VERBINDUNGFÜHRUNG	EMPALME GUIAS
15	TR2084		1	GUIDA CESTELLI DX	COULISSE PANIER DROITE	RIGHT BASKET GUIDE	RECHTE KORB FÜHRUNG	GUIADERECHA CANASTOS
16	TR2085		1	GUIDA CESTELLI SX	COULISSE PANIER GAUCHE	LEFT BASKET GUIDE	LINKE KORB FÜHRUNG	GUIAIZQUIERDA CANASTOS
17	TR0261		4	SALTARELLO	SAUTERELLE	PAWL	NOCHE	TRINQUETE
18	TR2129		4	PERNO	AXE	PIN	STIFT	PERNO
19	TR0622		2	SOSTEGNO CENTRALE	SUPPORT CENTRAL	CENTRAL STANCHION	ZENTRALE UNTERSTUTZ.	SOSTENCENTRAL

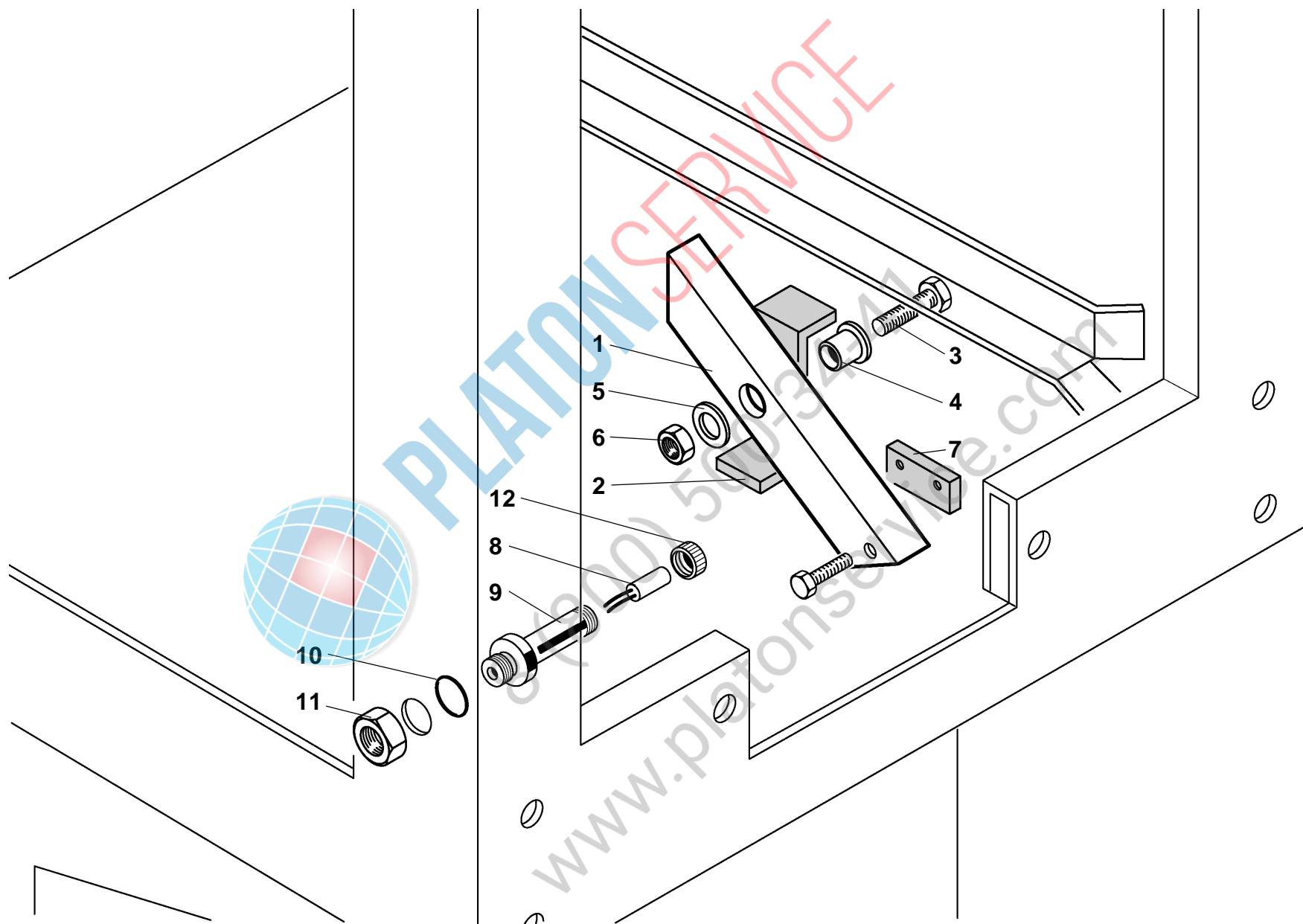




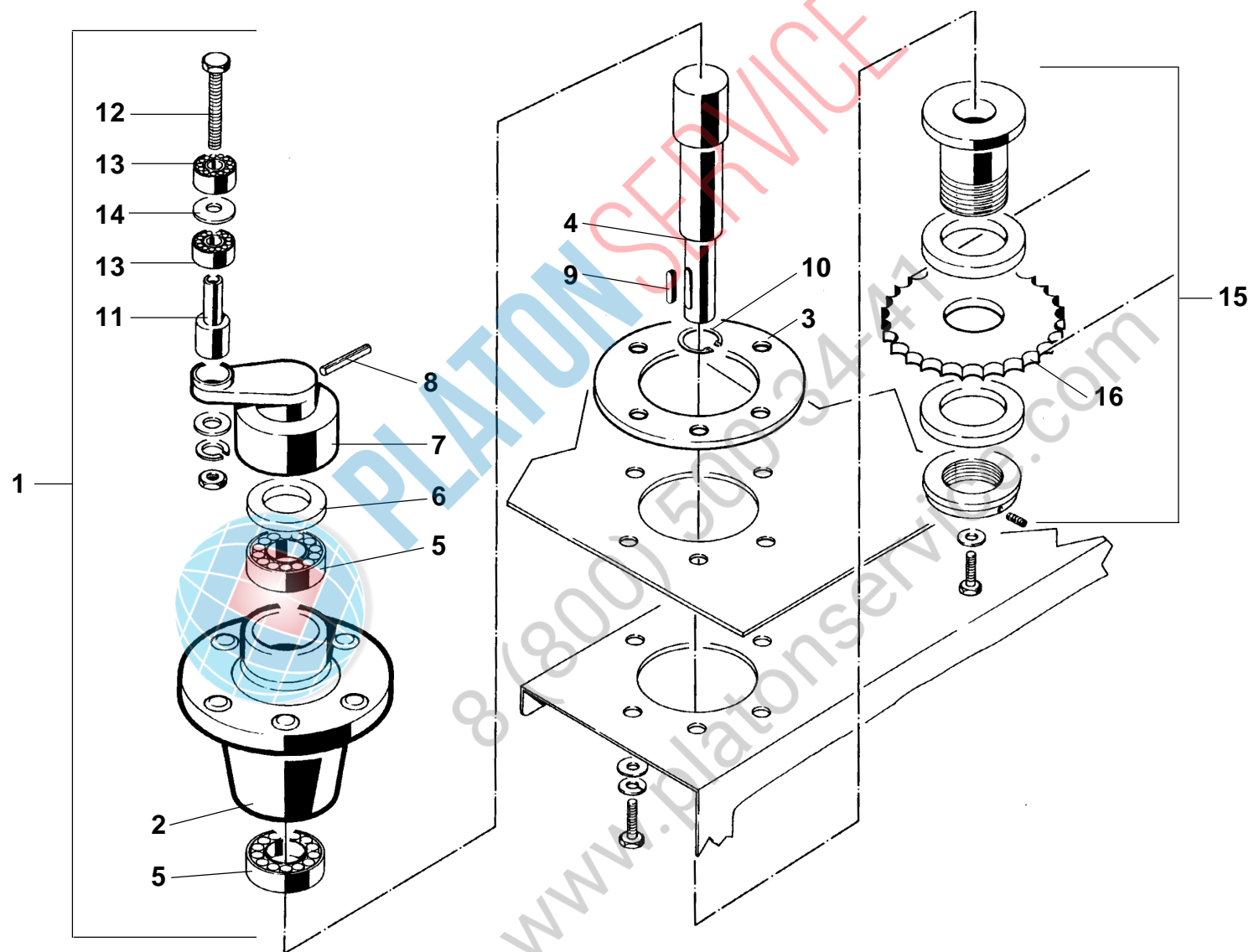




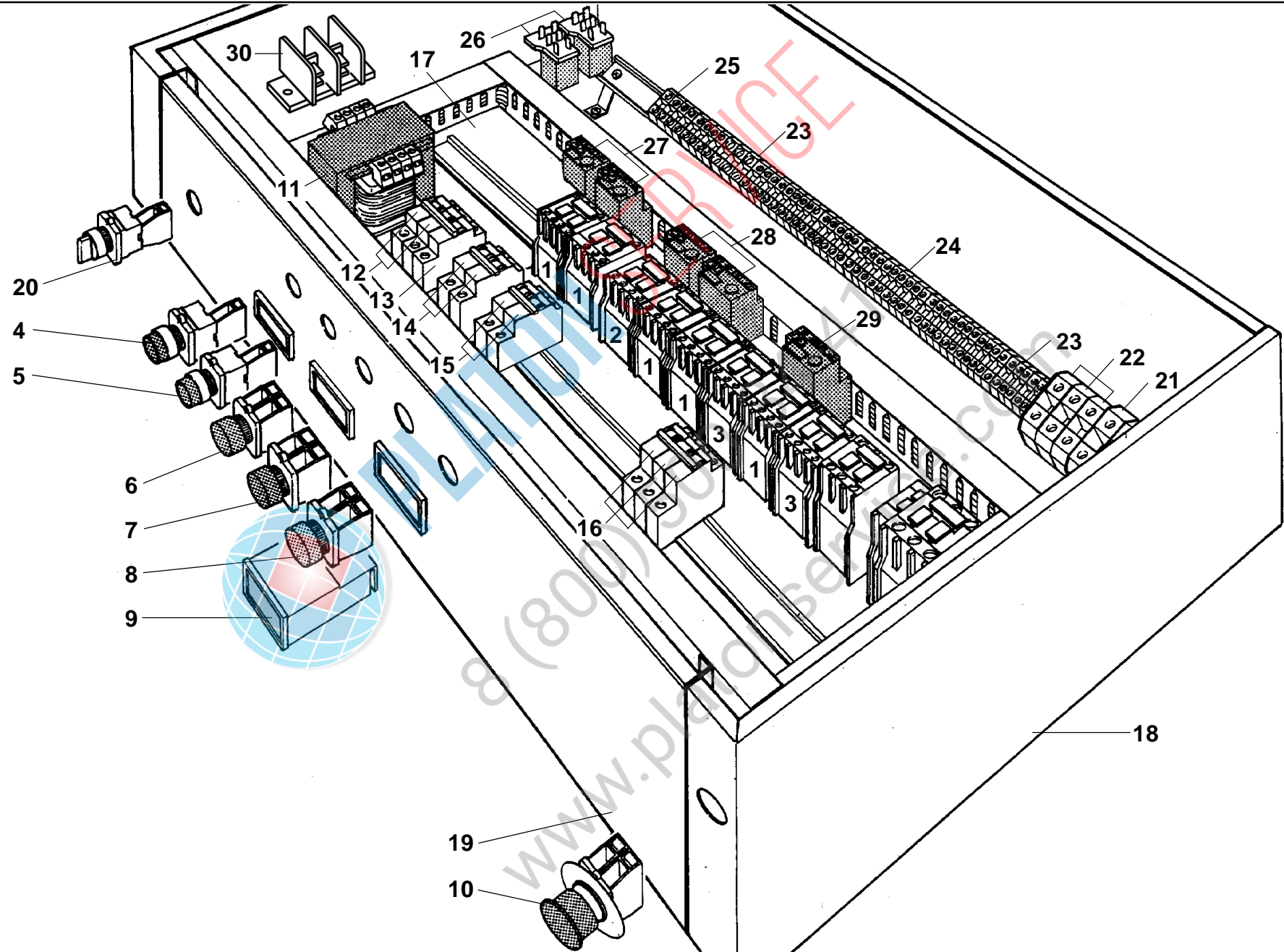




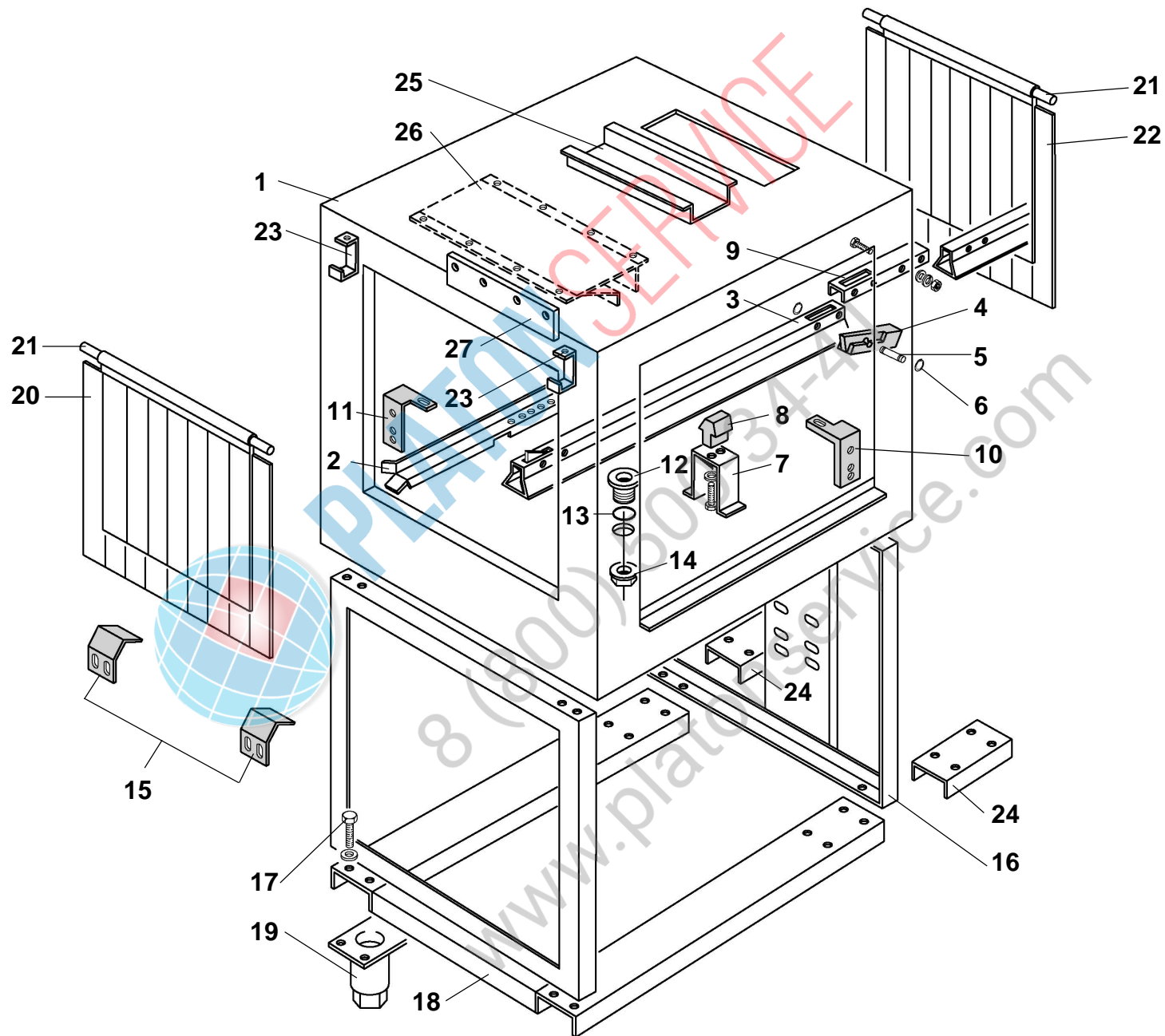








Pos	COD.	COD.	Q.TÀ	DESCRIZIONE	DENOMINATION	DESCRIPTION	BEZEICHNUNG	DESCRIPCIÓN
1	TR0370		4	TELERUTTORE 9A	T ELERUPT EUR	CONT ACT OR	SCHUT Z	TE LERRUPT OR
2	TR0373		3	TELERUTTORE 18A	T ELERUPT EUR	CONT ACT OR	SCHUT Z	TE LERRUPT OR
3	TR0372		1	TELERUTTORE 9A	T ELERUPT EUR	CONT ACT OR	SCHUT Z	TE LERRUPT OR
4	TR0351		1	PULSANTE D'ARRESTO	B OUT ON D'ARRET	ST OP PUSH BUTT ON	NOT ST OPT ASTE	INT ERRUPT OR DE DET ENCION
5	TR0349		1	PULSANTE DI MARCIA	B OUT ON DE MARRAGE	ST ART PUSH BUTT ON	ANL ASS KNOPF	INT ERRUPT OR DE ENCE NDIDO
6	TR0284		1	PULSANTE LUMINOSO VERDE	B OUT ON VERTE	GREEN PUSH BUTT ON	GRUNE DRUCKT ASTE	INT ERRUPT OR LUZ VERDE
7	TR0287		1	PULSANTE LUMINOSO ROSSO	B OUT ON ROUGE	RED PUSH BUTT ON	ROTE DRUCKT ASTE	INT ERRUPT OR LUZ ROJA
8	TR0348		1	PULSANTE LUMINOSO GIALLO	B OUT ON JAUNE	YELLOW PUSH BUTT ON	GELB DRUCKT ASTE	INT ERRUPT OR LUZ AMARILLA
9	TR0402		2	TERMOMETRO DIGITALE	T HERMOMET RE DIGIT AL	DIGIT AL T HERMOMET ER	DIGIT AL T HERMOMET ER	T ERMÓMET RO DIGIT AL
10	TR0328		1	PULSANTE ARRESTO GENERALE	B OUT ON D'ARRET GEN.	MAIN ST OP PUSH BUTT ON	NOT ST OP T ASTE	INTER. DET ENCION GRAL.
11	TR0420		1	TRASFORMATORE 250 VA	T RANSFORMAT EUR	T RANSFORMER	T RANSFORMAT OR	T RASFORMADOR
12	TR0222		2	INTERRUTTORE 2P 4A	INT ERRUPT EUR	MAIN SWIT CH	SCHALT ER	INT ERRUPT OR
13	TR0219		1	INTERRUTTORE 1P 10A	INT ERRUPT EUR	MAIN SWIT CH	SCHALT ER	INT ERRUPT OR
14	TR0211		2	INTERRUTTORE 3P 10A	INT ERRUPT EUR	MAIN SWIT CH	SCHALT ER	INT ERRUPT OR
15	TR0213		2	INTERRUTTORE 3P 32A	INT ERRUPT EUR	MAIN SWIT CH	SCHALT ER	INT ERRUPT OR
16	TR0212		3	INTERRUTTORE 3P 20A	INT ERRUPT EUR	MAIN SWIT CH	SCHALT ER	INT ERRUPT OR
17	TR1099		1	SUPP. COMP. ELETTRICI	SUPP. COMP. ELECTRIQUES	ELECTRIC COMP. SUPPORT	KOMPONENTE SUPPORT	SOPORTE COMP. ELECTRICOS
18	TR0491		1	CASSETTA ELETTRICA	BOITE ELECTRIQUE	CABINET	SCHALT KASTEN	CAJA ELÉCTRICA
19	TR0286		1	PANNELLO COMANDI	T ABLEAU COMMANDE	CONT ROL PANEL	SCHALT T AFEL	PANEL DE COMANDO
20	TR0310		1	SELETTORE 0-1	S ELECTEUR 0-1	S ELECT OR 0-1	WAHLSCHALTER	S ELEC CIONADOR
21	TR0257		1	MORSETTO TERRA 35 mm <sup>2</sup>	BORNE	TERMINAL	KLEMMLEISTE	GRAMPA TIERRA
22	TR0255		3	MORSETTO 35 mm <sup>2</sup>	BORNE	TERMINAL	KLEMMLEISTE	GRAMPA
23	TR0319		9	MORSETTO 10 mm <sup>2</sup>	BORNE	TERMINAL	KLEMMLEISTE	GRAMPA
24	TR0248		46	MORSETTO 4 mm <sup>2</sup>	BORNE	TERMINAL	KLEMMLEISTE	GRAMPA
25	TR0334		1	MORSETTO CHIUSURA 10 mm <sup>2</sup>	BORNE	TERMINAL	KLEMMLEISTE	GRAMPA DE LA CERRADURA
26	TR0300		2	RELÈ 24 V	RELAIS	RELAY	RELAIS	RELÉ
27	TR0394		2	TERMICA 1,25-2A	T ERMIQUE	OVERLOAD RELAY	T HERMOAUS LOSER	T ERMICA
28	TR0390		1	TERMICA 0,63-1A	T ERMIQUE	OVERLOAD RELAY	T HERMOAUS LOSER	T ERMICA
29	TR0400		1	TERMICA 4-6A	T ERMIQUE	OVERLOAD RELAY	T HERMOAUS LOSER	T ERMICA
30	955068		1	MORSETTO NYLON 4 mm <sup>2</sup>	BORNE	TERMINAL	KLEMMLEISTE	GRAMPA NAYLON





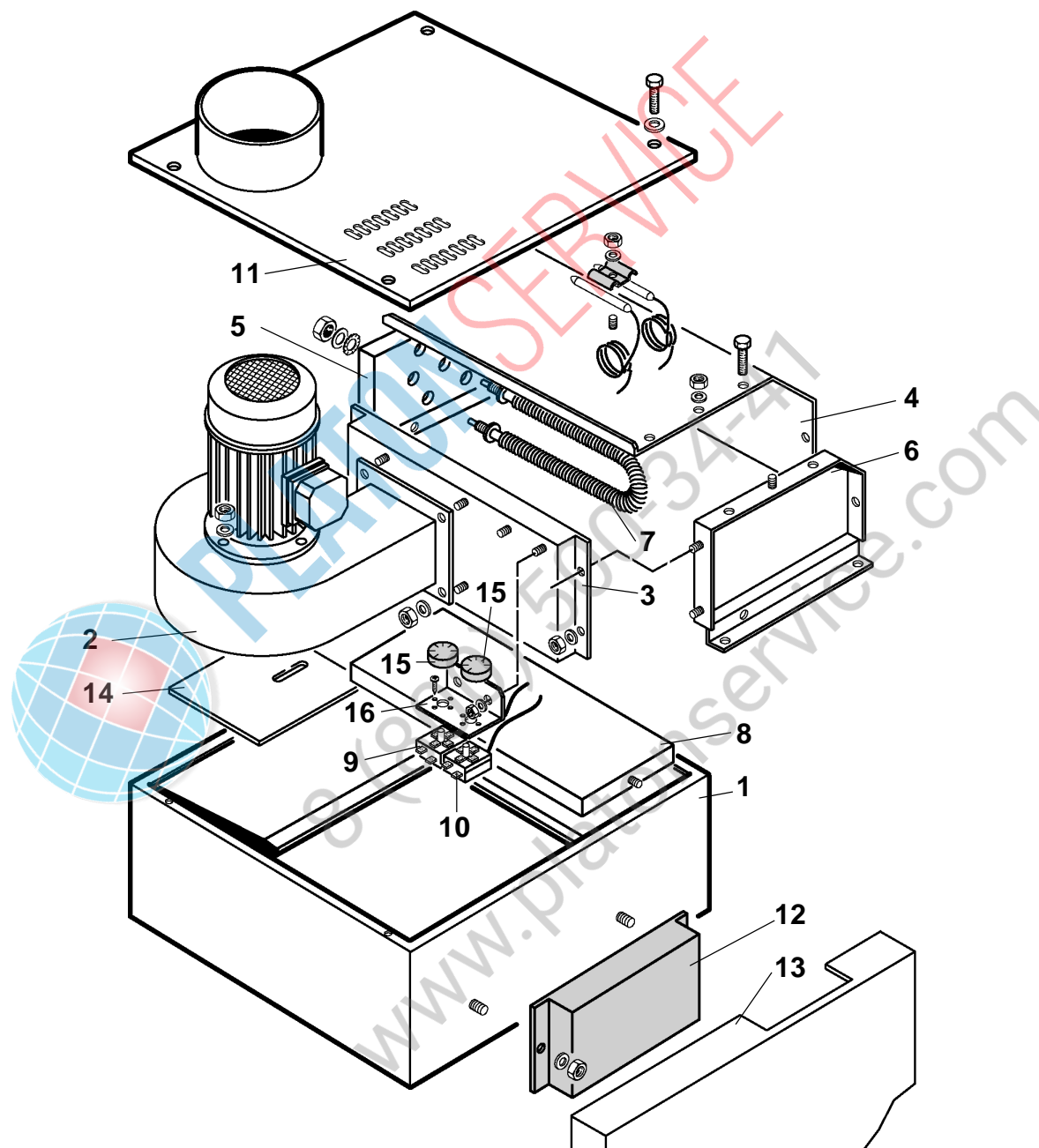
# LAVASTOVIGLIE A TRAINO

ASCIUGATURA

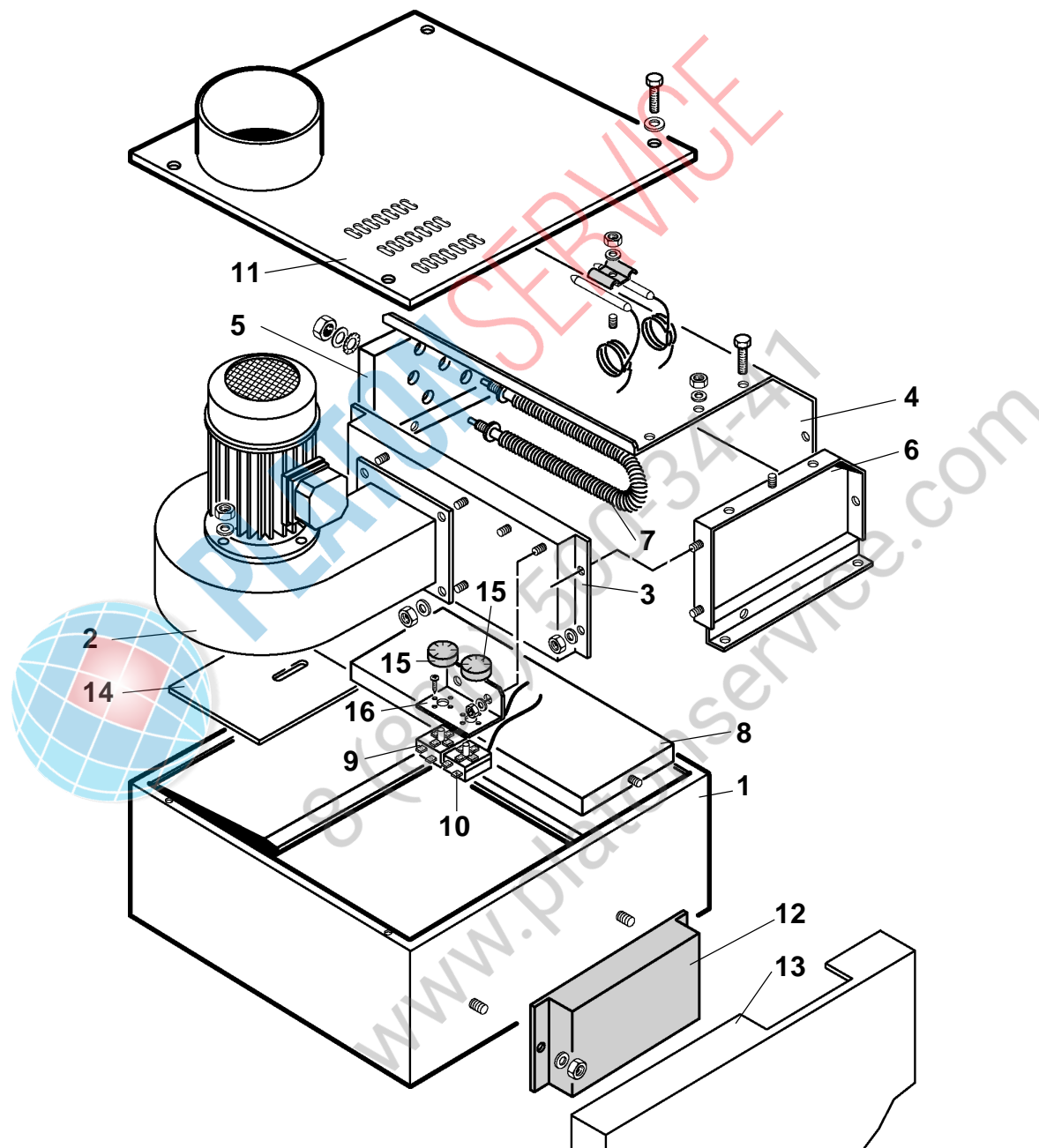
ED. 2000

TAV. 11

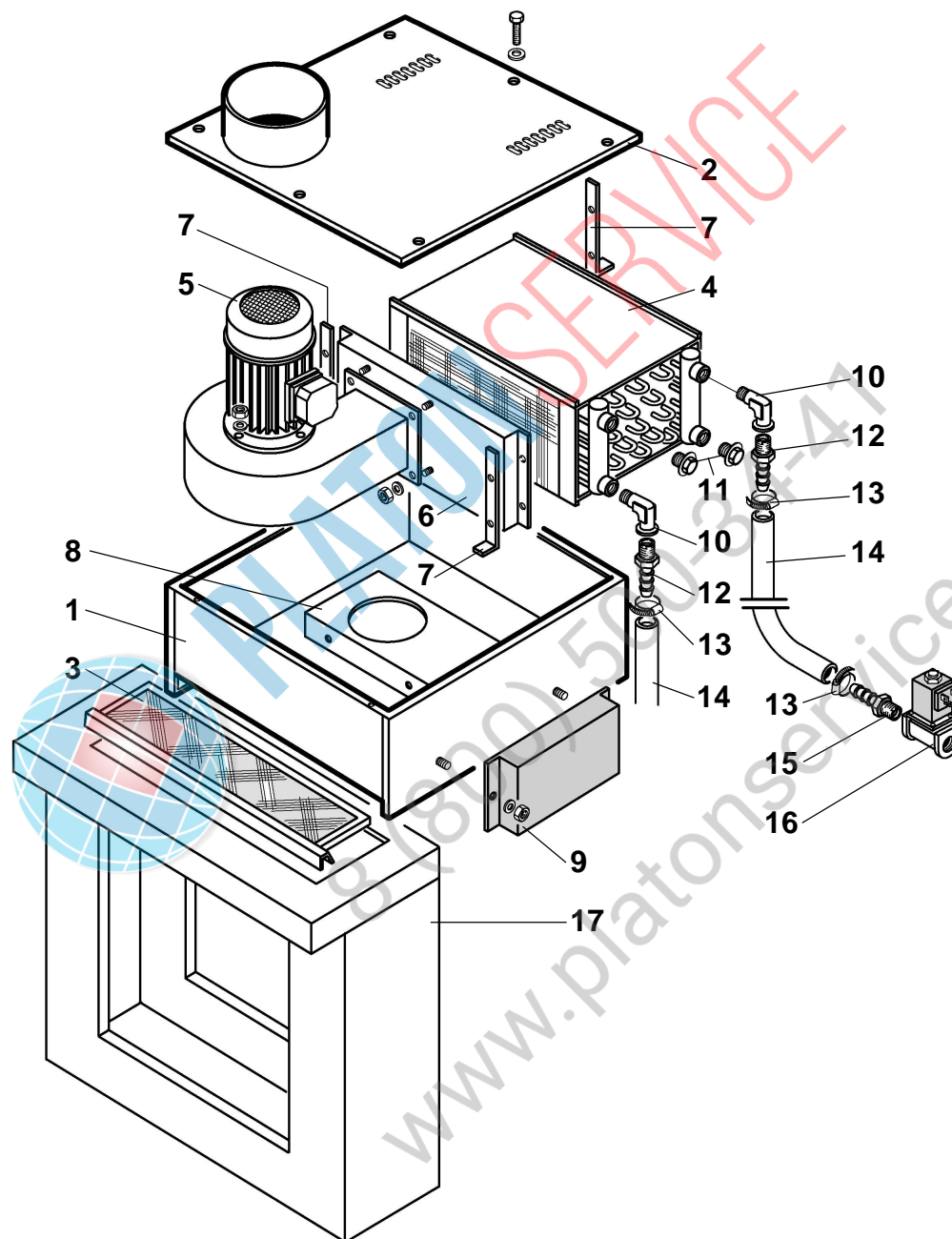
Pos	COD.	COD.	Q.TÀ	DESCRIZIONE	DENOMINATION	DESCRIPTION	BEZEICHNUNG	DESCRIPCIÓN
1	TR 2189		1	CAPOTE ASCIUGATURA	CAPOTE TUNNEL SECHAGE	DRYING TUNNEL	TROCKEN ZONE	CAPOT SECADO
2	TR 2117		1	GUIDA CESTELLI ANT.	COULISSE PANIER	BASKET GUIDE	KORB FÜHRUNG	GUIA ANTERIOR CANASTOS
2	TR 2118		1	GUIDA CESTELLI POST.	COULISSE PANIER	BASKET GUIDE	KORB FÜHRUNG	GUIA POSTERIOR CANASTOS
3	TR 2067		1	GUIDA SALTARELLI	RAIL SAUTERELLE	PAWL BAR	ZENTRALE MITNAHME	GUIA TRINQUETES
4	TR 0261		2	SALTARELLO	SAUTERELLE	PAWL	NOCHE	TRINQUETE
5	TR 2129		2	PERNO	AXE	PIN	STIFT	PERNO
6	TR 0321		4	SEEGER	SEEGER	SEEGER	SEEGERSICHERUNG	RETÉN
7	TR 0589		1	SOSTEGNO CENTRALE	SUPPORT CENTRAL	CENTRAL STANCHION	ZENTRALE UNTERSTUTZ.	SOSTEN CENTRAL
8	TR 0357		1	SUPPORTO GUIDA	SUPPORT COULISSE	FRICITION PAD	GLEITSTUCK	SOPORTE GUIDA
9	TR 2052		1	GIUNZIONE GUIDA	LIAISON COULISSE	CONNECTION GUIDE	VERBINDUNG FÜHRUNG	EMPALME GUIDA
10	TR 0645		2	SUPPORTO GUIDA CEST. SX	SUPPORT COULISSE	SUPPORT GUIDE	FÜHRUNG HALTERUNG	SOP. GUIDA CANASTO IZQUIERDA
11	TR 0644		2	SUPPORTO GUIDA CEST. DX	SUPPORT COULISSE	SUPPORT GUIDE	FÜHRUNG HALTERUNG	SOP. GUIDA CANASTO DERECHO
12	TR 1234		1	RACCORDO SCARICO 1" ¼	RACCORD	PIPE FITTING	ANSCHLUSS	EMPALME DESAGOTE
13	904380		1	O-RING	O-RING	O-RING	O-RING	O-RING
14	902080		1	GHIERA 1" ¼	VIROLE	LOCK NUT	NUT MUTTER	ABRAZADERA
15	TR 2163		2	SQUADR. USCITA CESTELLI	EQUERRE SORTIE PANIER	BRACKET UNLOADING TRACK	AUSLAUFWINKEL KORB FÜ.	ANGULAR SALIDA CANASTO
16	TR 0596		1	SUPP. MOTORIDUTTORE	SUPPORT MOTOREDUCTEUR	SPEED REDUCER SUPPORT	GETRIEBEMOTOR TRÄGER	SOPORTE MOTORREDUCTOR
17	TR 0623		1	SUPP. CAPOTE ASCIUGATURA	SUPPORT TUNNEL SECHAGE	DRYING TUNNEL SUPPORT	TROCKEN ZONE SUPPORT	SOPORTE CAPOT SECADO
18	TR 0597		1	TELAIO	CHASSIS	FRAME	RAHMEN	BASTIDOR
19	TR 0299		4	PIEDE	PIED	FOOT	FUSS	PIÉ
20	TR 0470		1	TENDINA	RIDEAU	CURTAIN	SPRITZSCHUTZ	CORTINILLA
21	TR 2034		2	ALBERO TENDINA	ARBRE RIDEAU	CURTAIN ROD	HALTERUNG	EJE CORTINILLA
22	TR 0460		1	TENDINA	RIDEAU	CURTAIN	SPRITZSCHUTZ	CORTINILLA
23	TR 2169		2	SQUADR. PER TENDINA	EQUERRE POUR RIDEAU	BRACKET CURTAIN	WINKEL SPRITZSCHUTZ	ANGULAR PARA CORTINILLA
24	TR 0646		1	GIUNZIONE TELAIO	LIAISON POUR CHASSIS	CONNECTION FRAME	VERBINDUNG RAHMEN	EMPALME BASTIDOR
25	TR 2186		1	DEFLETTORE ASPIRAZIONE	DEFLECTEUR ASPIRATION	SUCTION DEFLECTOR	UMLENKBLECH	DEFLECTOR DE ASPIRACIÓN
26	TR 2188		1	CONVOGLIATORE	CONVOYER	CHANNEL	ABLEITBLECH	TRANSPORTADOR
27	TR 0315		1	DEFLETTORE GOMMA	DEFLECTEUR EN CAOUTC.	RUBBER CHANNEL	GUMMIABLEITBLECH	DEFLECTOR DE GOMA



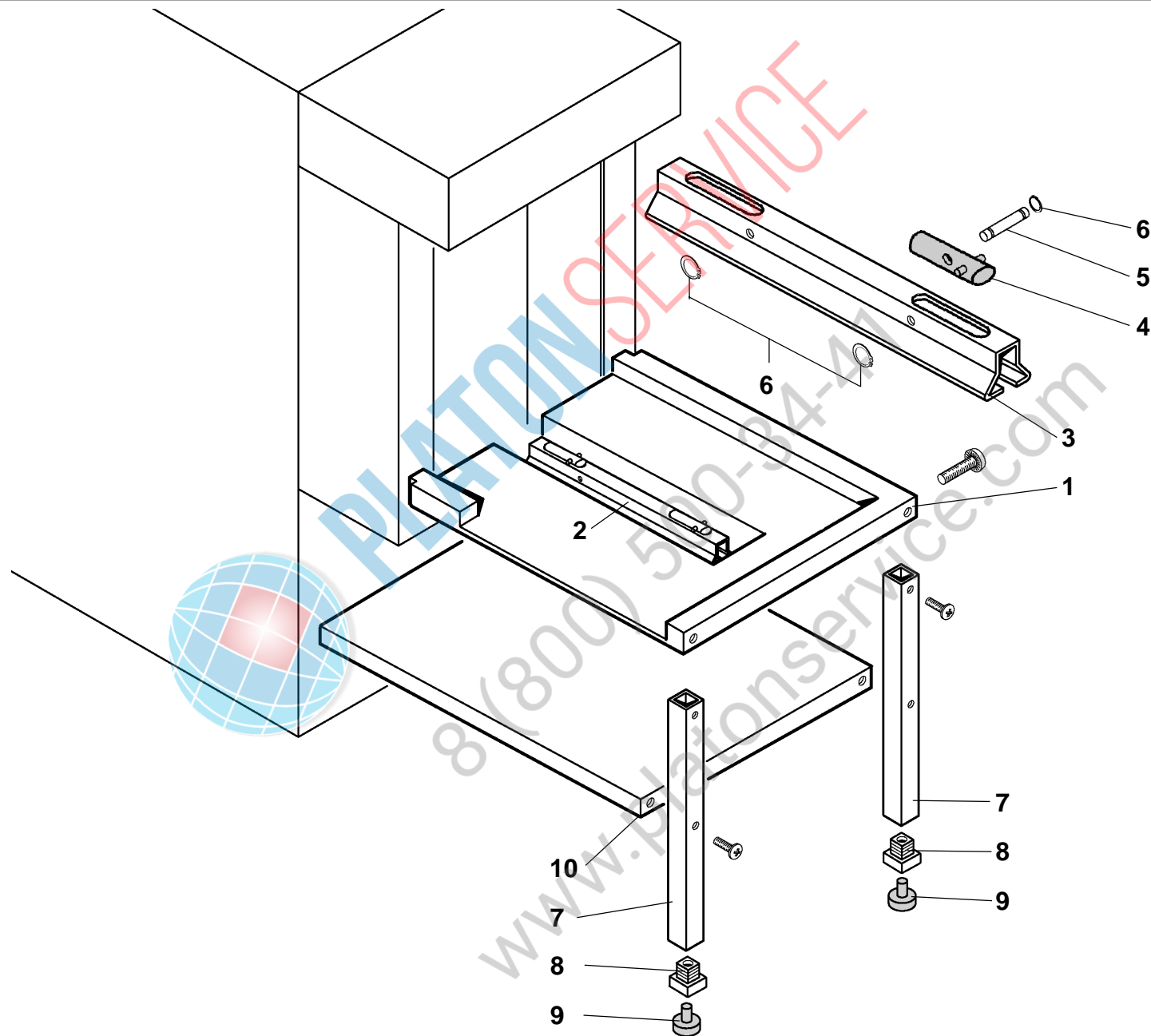






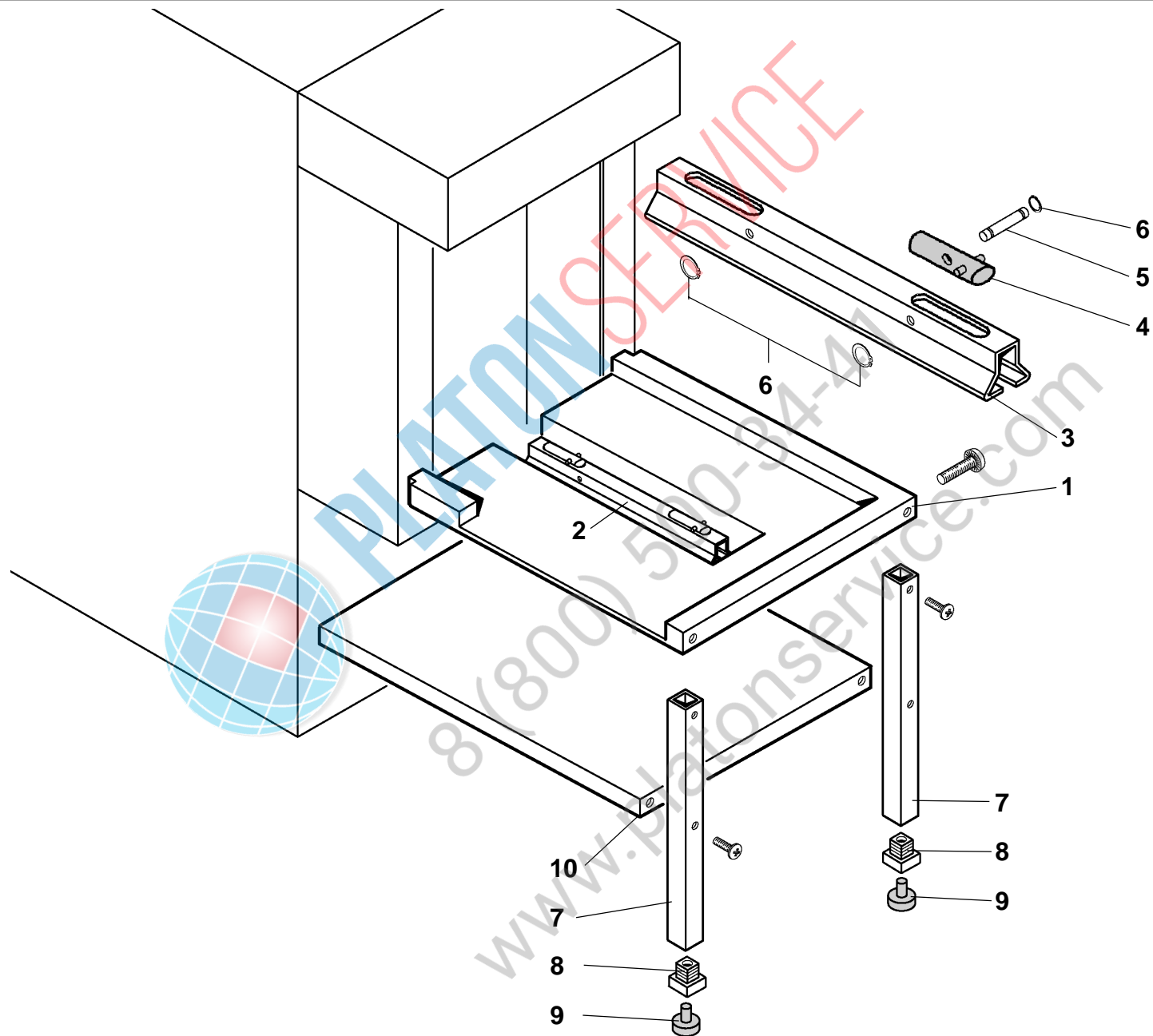




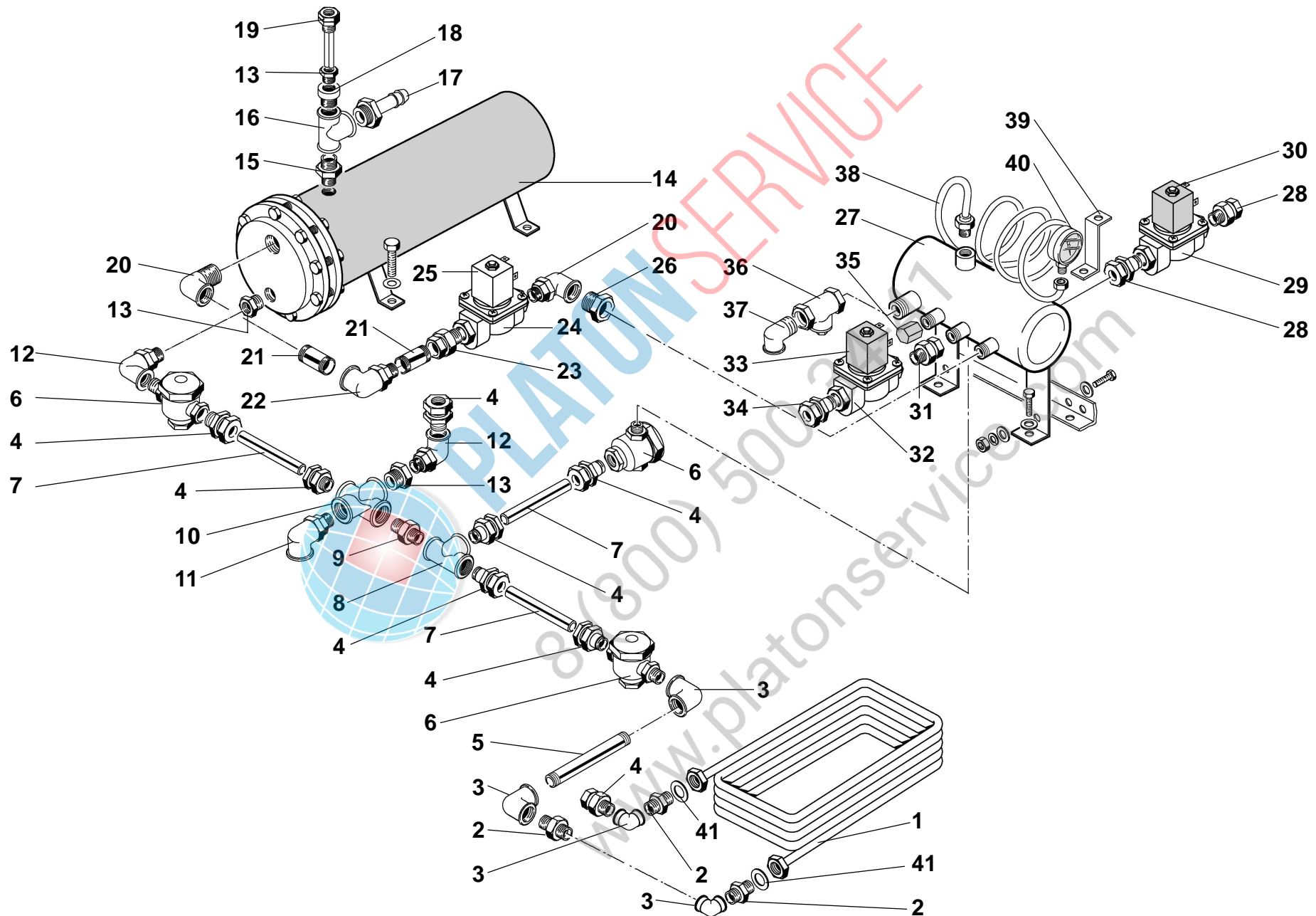












# LAVASTOVIGLIE A TRAINO

IMPIANTO VAPORE

ED. 2000

TAV. 17

Pos	COD.	COD.	Q.TÀ	DESCRIZIONE	DENOMINATION	DESCRIPTION	BEZEICHNUNG	DESCRIPCIÓN
1	TR 0466		1	SERPENTINA 9.000 CAL.	SERPENTIN VAPEUR	STEAM COIL	DAMPFSCHANGE	SERPENTINA
2	TR 2319		3	NIPPLO ½"	NIPPLES	NIPPLE	NIPPLE	NIPLE
3	TR 2437		4	RACCORDO GOMITO ½"	RACCORD	PIPE FITTING	ANSCHLUSSE	EMPALME A CODO
4	TR 2223		7	RACCORDO ½"	RACCORD	PIPE FITTING	ANSCHLUSSE	EMPALME
5	952209		1	TUBO ZINCATO ½" - ½"	TUYAU	PIPE	ROHR	TUBO CINC
6	TR 0316		3	SCARICATORE CONDENSA	DESCHARGEUR CONDENSE	STEAM TRAP	KONDENSWASSER ABSCHIEDER	DESCARGA CONDENSACIÓN
7	952205		3	TUBORAME Ø 18	TUBE EN CUIVRE	COPPER PIPE	KUPFER ROHR	TUBO DE COBRE
8	TR 2402		1	RACCORDO TRE VIE ½"	RACCORD	PIPE FITTING	ANSCHLUSSE	EMPALME 3 DIRECCIONES
9	TR 2347		1	NIPPLO RIDOTTO ¾" - ½"	NIPPLES	NIPPLE	NIPPLE	NIPLE REDUCCIÓN
10	TR 2406		1	RACCORDO 4 VIE ¾"	RACCORD	PIPE FITTING	ANSCHLUSSE	EMPALME 4 DIRECCIONES
11	TR 2439		1	RACCORDO GOMITO ¾"	RACCORD	PIPE FITTING	ANSCHLUSSE	RAMPA DE DESAGÜE CURVO
12	TR 2420		2	RACCORDO GOMITO ½"	RACCORD	PIPE FITTING	ANSCHLUSSE	RAMPA DE DESAGÜE CURVO
13	TR 2366		3	RIDUZIONE ¾" - ½"	REDUCTION	REDUCTION	VERMINDERUNG	TUBO CINC
14	TR 1080		1	BOILER 30.000 CAL.	SURCHAUFFEUR	BOILER	HEISSWASSERSPEICHER	BOILER
15	TR 2316		1	NIPPLO ¾"	NIPPLES	NIPPLE	NIPPLE	NIPLE
16	TR 2400		1	RACCORDO 3 VIE ¾"	RACCORD	PIPE FITTING	ANSCHLUSSE	EMPALME 3 DIRECCIONES
17	907890		1	RACCORDO PORTAGOMMA ¾"	RACCORD	PIPE FITTING	ANSCHLUSSE	EMPALME GOME PARA PUERTA
18	TR 2445		1	PROLUNGA ¾"	PROLUNGEMENT	EXSTENSION CORD	LEITUNGSTRECKER	PROLONGACIÓN
19	TR 0298		1	PORTABULBO	SIEGE DE BULBE	SEATING BULB	KUGELSITZ	PORTABULBO
20	TR 2330		2	BOCCHETTONE CURVO 1"	GOULOTTE	PIPE UNION	STUTZEN	RAMPA DE DESAGÜE CURVO
21	952211		2	TUBO ZINCATO 1" - 1"	TUYAU	PIPE	ROHR	TUBO CINC
22	TR 2438		1	RACCORDO GOMITO 1"	RACCORD	PIPE FITTING	ANSCHLUSSE	RAMPA DE DESAGÜE CURVO
23	TR 2336		1	BOCCHETTONE DIRITTO 1"	GOULOTTE	PIPE UNION	STUTZEN	RAMPA DE DESAGÜE RECTO
24	TR 0094		1	ELETTRIVALVOLA 1"	ELECTROVANNE	ELECTRIC VALVE	ELEKTROVENTIL	VALVULA ELECTRICA
25	TR 0104		1	BOBINA 24V	BOBINE	COIL	SPULE	BOBINA
26	TR 2367		1	RIDUZIONE 1" - ¾"	REDUCTION	REDUCTION	VERMINDERUNG	REDUCCIÓN

